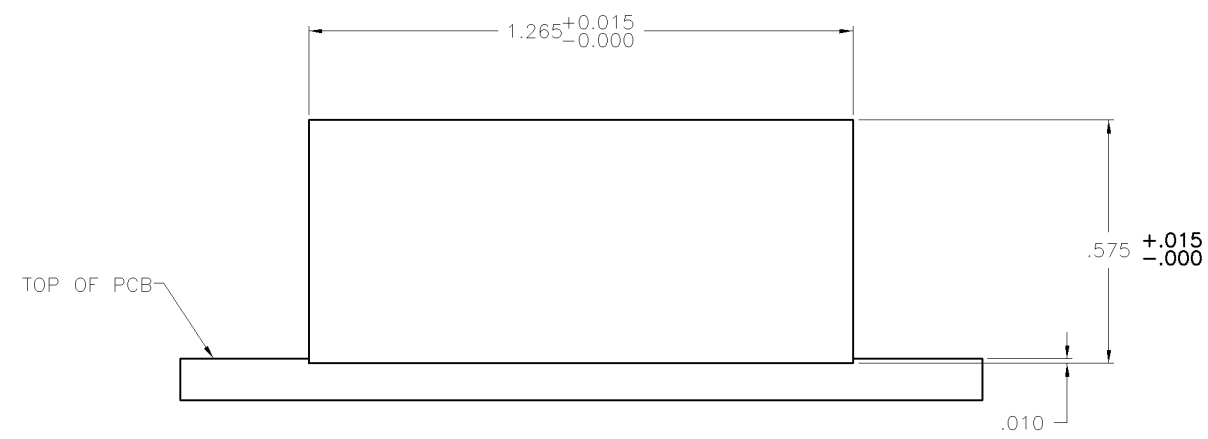
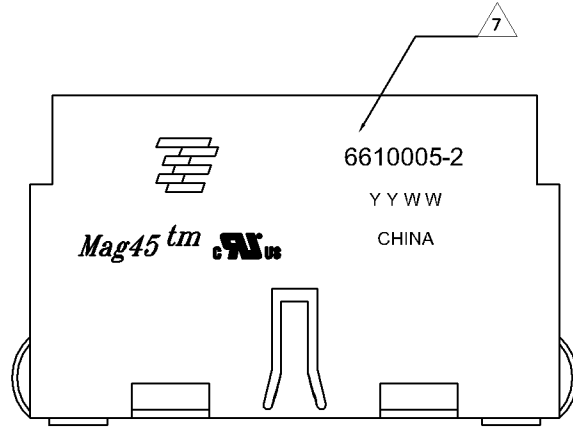


THIS DRAWING IS UNPUBLISHED. RELEASED FOR PUBLICATION  
 BY TYCO ELECTRONICS CORPORATION. ALL RIGHTS RESERVED.

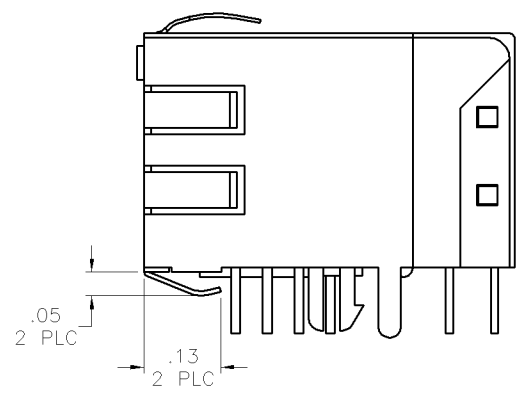
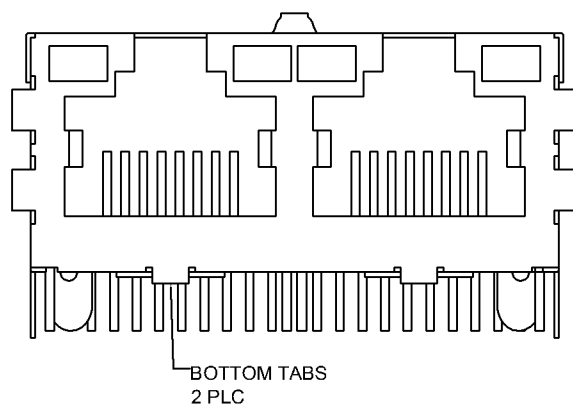
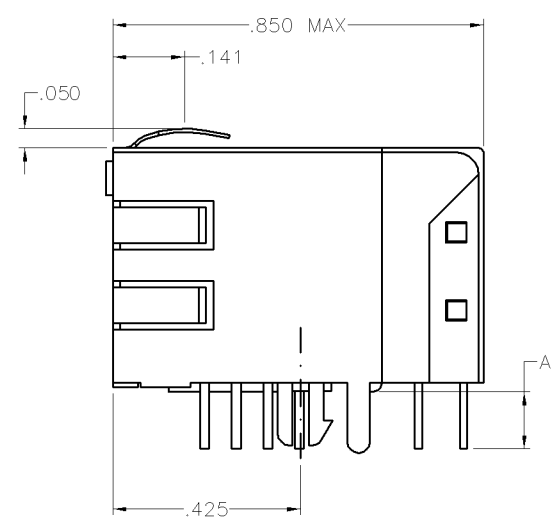
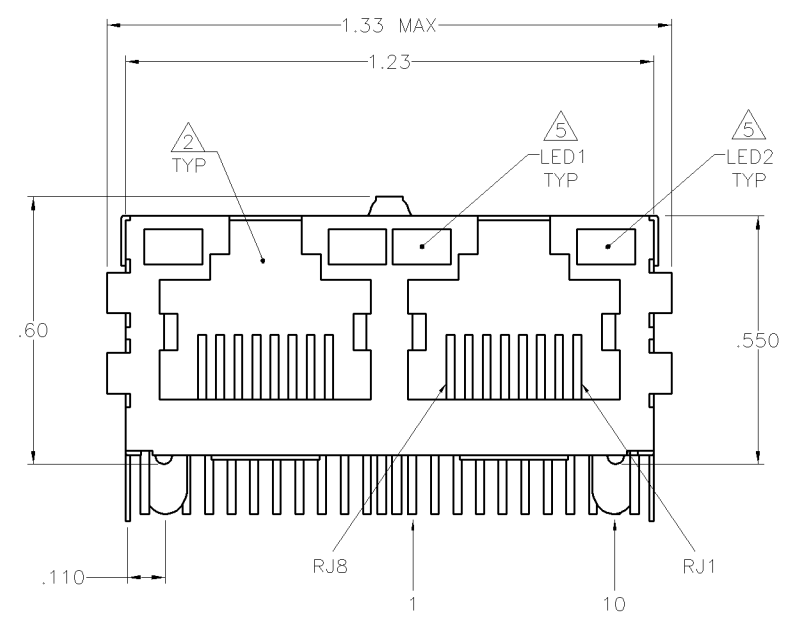
LOC		DST		REVISIONS			
AA	22	REV	PER	ECO	DATE	BY	APP'D
F		REV PER	ECO-08-026058		23SEP2008	VL	TX

MECHANICAL:



1X2 SUGGESTED PANEL CUTOUT

- △ MATERIALS:  
 HOUSING - THERMOPLASTIC PET POLYESTER FLAMMABILITY RATING UL 94V-0.  
 SHIELD - .010" THICK, C26800 BRASS PREPLATED WITH 30μinch MIN SEMI-BRIGHT NICKEL; SOLDER TAB POSTS DIPPED WITH 100μinch MIN SAC SOLDER.  
 MOD JACK CONTACTS - .0157" x .018", PHOSPHOR BRONZE, 50μinch MIN OVERALL NICKEL UNDERPLATE, WITH SELECT 50μinch MIN HARD GOLD FINISH PLATE. SOLDER TAILS WITH 100μinch MIN MATTE TIN AND/OR SAC SOLDER DIP.  
 LIGHT EMITTING DIODE(LED) - DIFFUSED EPOXY LENS, .020" x .020" CARBON STEEL WIREFRAME LEADS PREPLATED WITH 80μinch SILVER OVER 40μinch NICKEL UNDERPLATE OVER 40μinch COPPER UNDERPLATE; POST-PLATED WITH 100μinch MIN MATTE TIN AND/OR SAC SOLDER DIP OR PURE TIN SOLDER DIP.
- △ RJ45 JACK CAVITY CONFORMS TO FCC RULES AND REGULATIONS PART 68, SUB PART F.
- △ MAGNETICS:  
 -APPLICATION: 10/100/1000 BASE-T  
 -IMPEDANCE: 100 OHMS  
 -TURNS RATIO (CHIP-CABLE): 1:1 ALL FOUR PAIRS  
 -OPEN CIRCUIT INDUCTANCE (OCL): 350μH MIN @100kHz, 0.1VRMS, 8mADC BIAS FROM 0°C TO 70°C, ALL FOUR PAIRS  
 -ALL FOUR PAIRS BI-DIRECTIONAL  
 -PERFORMANCE @ 25°C:  
 INSERTION LOSS (IL): 1.1dB MAX FROM 0.5MHz TO 100MHz  
 RETURN LOSS (RL): 18dB MIN FROM 0.5MHz TO 4.0MHz  
 12-20LOGIF/80dB MIN FROM 4.01MHz TO 100MHz  
 CROSSTALK ATTENUATION: 35dB MIN FROM 0.5MHz TO 4.0MHz  
 33-20LOGIF/50dB MIN FROM 4.01MHz TO 100MHz  
 COMMON MODE REJECTION RATIO(CMRR): 30dBMIN FROM 0.5MHz TO 100MHz  
 ISOLATION VOLTAGE: COMPLIES WITH IEEE802.3 2002, PARA 40.6.1.1, ITEM b.
- △ ALL DIMENSIONS NOMINAL UNLESS OTHERWISE NOTED.
- △ THE 250 OHM RESISTOR IS OPTIONAL, PLEASE SEE CHART FOR PRESENCE OR ABSENCE OF LED RESISTORS. IF LEDS WITHOUT 250 OHM RESISTOR, LEDS ARE DRIVEN WITH CONSTANT CURRENT AT APPROX 20 mA  
 LED COLOR: DOMINANT WAVELENGTH (λ D): GREEN 568 nm TYP @ IF=20 mA  
 FORWARD VOLTAGE (VF): GREEN 2.2V TYP @ IF=20 mA  
 DOMINANT WAVELENGTH (λ D): YELLOW 588 nm TYP @ IF=20 mA  
 FORWARD VOLTAGE (VF): YELLOW 2.1V TYP @ IF=20 mA  
 IF LEDS WITH BUILT-IN RESISTOR, LEDS ARE DRIVEN WITH 5V VOLTAGE AND THE MAX OPERATING CURRENT IS 20mA.  
 LED COLOR: DOMINANT WAVELENGTH (λ D): GREEN 568 nm TYP @ VF=5V  
 FORWARD CURRENT (IF): GREEN 12mA TYP @ VF=5V  
 DOMINANT WAVELENGTH (λ D): YELLOW 588 nm TYP @ VF=5V  
 FORWARD CURRENT (IF): YELLOW 13mA TYP @ VF=5V
- △ INDICATED MAGNETIC CONNECTIONS ARE SYMMETRICAL TO ACCOMMODATE CONNECTIONS FOR EITHER NIC OR HUB CONFIGURATION, OR SUPPORT AUTO-MDIX/MDIX.
- △ TYCO ELECTRONICS LOGO, PART NUMBER, DATE CODE, COUNTRY OF ORIGIN AND AGENCY APPROVAL MARKING IN APPROXIMATE LOCATION SHOWN.
- 8. THESE PARTS ARE RECOMMENDED FOR WAVE SOLDERING PROCESS, PREHEAT TEMPERATURE IS 120°C TO 160°C, 120 SECONDS TO 180 SECONDS, PEAK WAVE SOLDERING TEMPERATURE IS 260°C MAX, 10 SECONDS MAX.
- 9. OPERATING TEMPERATURE: FROM 0°C - +70°C.



FOR 5-6610005-6 & 2-6610005-2

DIM A	BOTTOM TABS	LED1	LED2	PART NUMBER
.145±.010	YES	GREEN/YELLOW	GREEN/YELLOW	5-6610005-6
.125±.010	NO	GREEN/YELLOW	GREEN	2-6610005-4
.145±.010	YES	YELLOW	GREEN	2-6610005-2
.145±.010	NO	GREEN	GREEN/YELLOW	1-6610005-5
.145±.010	NO	GREEN	GREEN	1-6610005-1
.145±.010	NO	GREEN/YELLOW	GREEN/YELLOW	6610005-6
.145±.010	NO	GREEN/YELLOW	GREEN	6610005-4
.145±.010	NO	YELLOW	GREEN	6610005-2

THIS DRAWING IS A CONTROLLED DOCUMENT. DWG: R.GRZYBOWSKI 13JAN05  
 CHK: D.FAROLE 13JAN05  
 DATE: 13JAN05  
 NAME: Tyco Electronics Corporation, Tyco Electronics, ChangPing, China

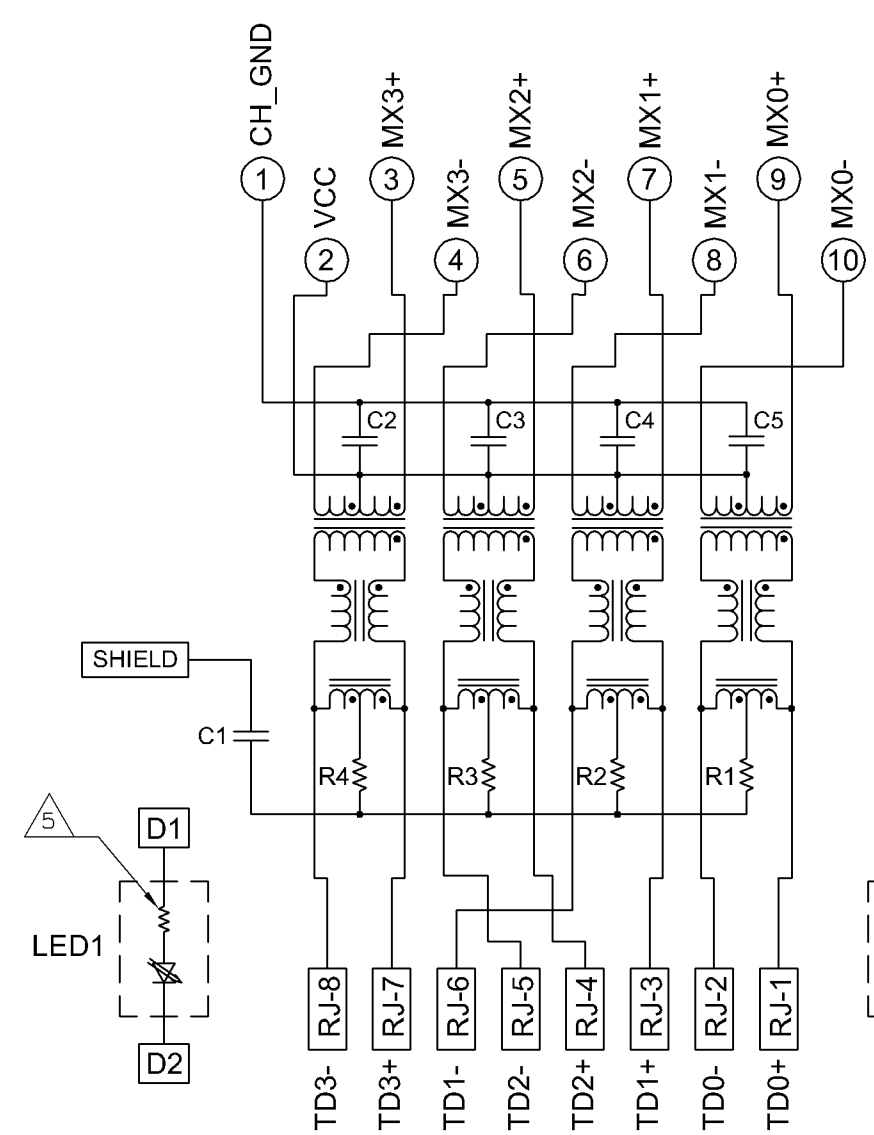
DIMENSIONS:	TOLERANCES UNLESS OTHERWISE SPECIFIED:	PRODUCT SPEC:	108-2100
INCHES	0 PLC ± -	APPLICATION SPEC:	
	1 PLC ± .010	SIZE	A1
	2 PLC ± .005	DATE CODE	00779
	3 PLC ± .005	DRAWING NO	6610005
	4 PLC ± .005	RESTRICTED TO	
	ANGLES ± -	CUSTOMER DRAWING	

1X2 MAG45(TM) MODULAR JACK, 7G4 SCHEMATIC (10 PIN HORIZONTAL), 05 SERIES GIGABIT CIRCUIT, SHIELDED, WITH LEDS

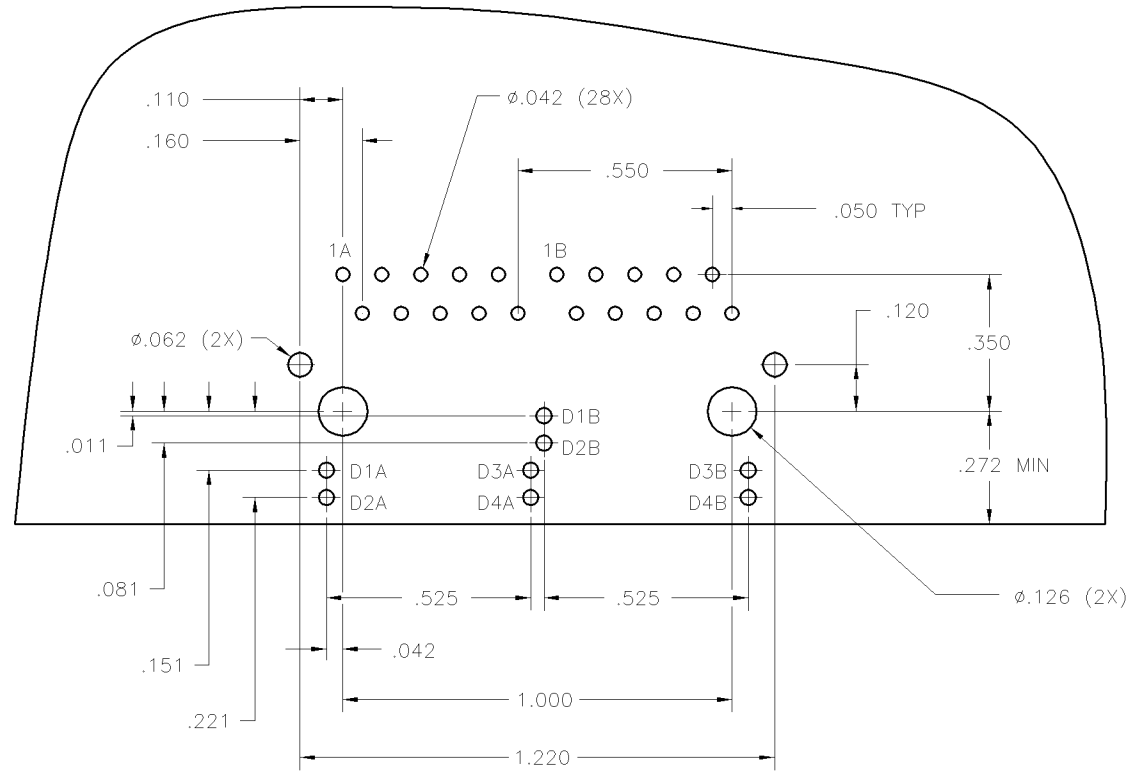
SCALE: 4:1 SHEET 1 OF 2 REV F

LOC		DST		REVISIONS			
#	LN	#	LN	DESCRIPTION	DATE	ENR	APPD
AA	22	-	-	SEE SHEET 1	-	-	-

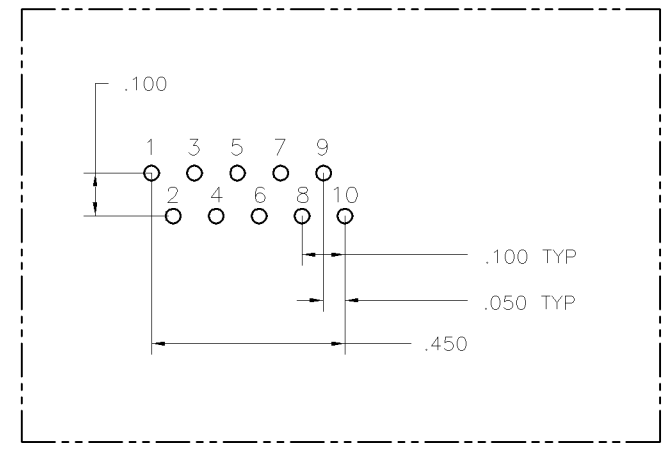
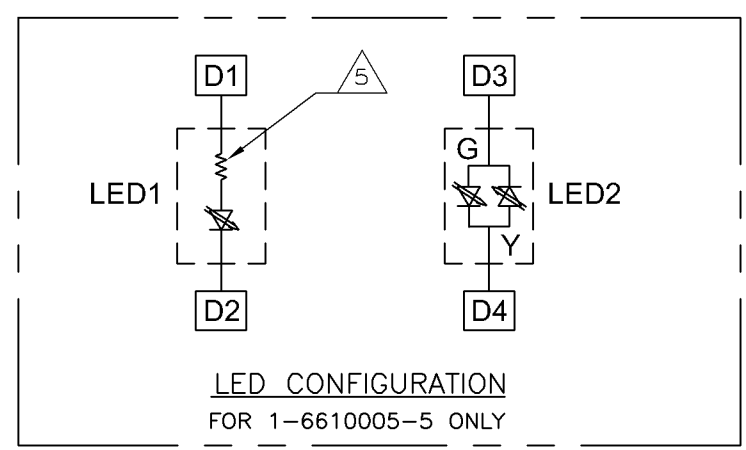
### 7G05 GIGABIT SCHEMATIC 3 6



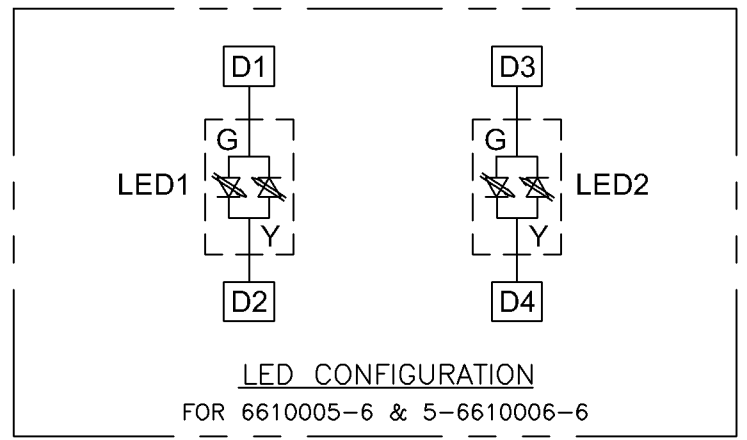
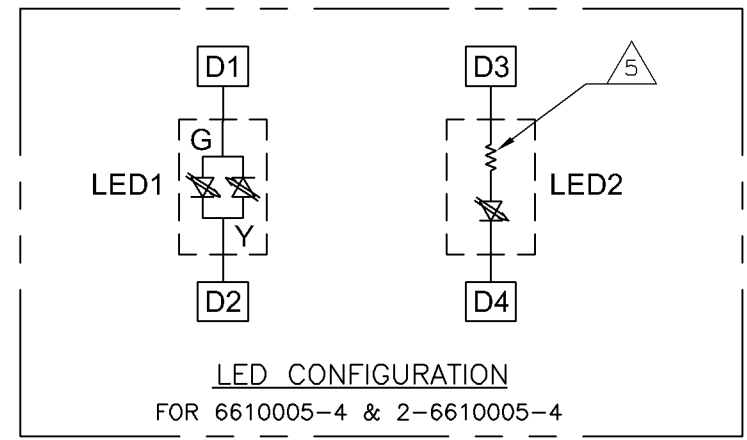
C1 = 1000 pF, 2kV DECOUPLING CAPACITOR  
 R1-R4 = 75 OHMS, 1/16 W, 5% RESISTORS  
 C2-C5 = 0.1uF, 10%, 50V, X7R CAPACITORS



**SUGGESTED PCB LAYOUT**  
(Component Side)



**PIN DESIGNATIONS**  
(APPLIES TO ALL PORTS)



THIS DRAWING IS A CONTROLLED DOCUMENT.		ENR R.GRZYBOWSKI 13JAN05	13JAN05	Tyco Electronics Corporation ChangPing, China
DIMENSIONS: INCHES		DESIGNED BY D.FAROLE 13JAN05	NAME D.FAROLE 13JAN05	SIZE A1
TOLERANCES UNLESS OTHERWISE SPECIFIED: 0 P.L.C. ± - 1 P.L.C. ± - 2 P.L.C. ± .010 3 P.L.C. ± .005 4 P.L.C. ± - ANGLES ± - FINISH -		PRODUCT SPEC 108-2100	APPLICATION SPEC	DATE CODE 00779
MATERIAL -		CUSTOMER DRAWING		RESTRICTED TO -
SCALE 4:1		SHEET 2 OF 2		REV F